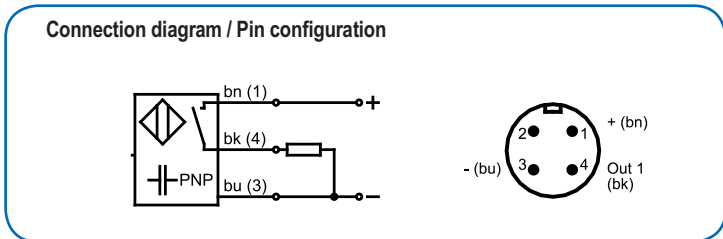
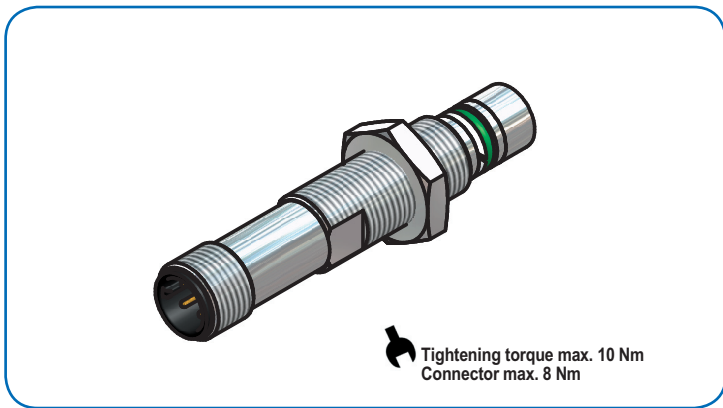
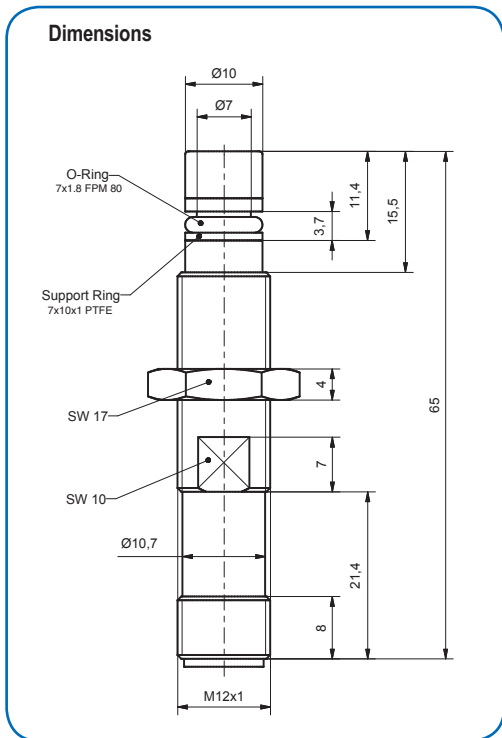




- Oil pressure resistant up to 500 bar
- High-temperature range -40 °C ... +110 °C
- S_n = 2 mm, flush mountable



General data		Electrical data	
Installation	flush mountable	Current	DC
Nominal sensing distance S _n	mm 2,0	Wiring	3-wire
Effective operating distance S _r	% ± 10	Switching output	PNP
Assured operating distance S _a	mm 0...1,6 mm	Type of switch	Normally Open
Repeatability	% ≤ 5	Rated supply voltage	V 24 DC
Hysteresis	% ≤ 15	Operating voltage	V 6...35 DC
Temperature drift	% ≤ 10	Residual ripple	% ≤ 10
Ambient temperature range	°C -40...+110	Switching frequency	Hz 400
		Output current max.	mA 200
		No-load current	mA ≤ 13
		Off-state current	mA ≤ 0,01
		Voltage drop	V ≤ 2,4
		Overload protection	yes
		Short-circuit protection	yes
		Polarity protection	yes
Mechanical data		Type code: IHP-2,0-12BPS-ST4	
Dimensions Sensor (diameter x length)	mm M12x1 x 65		
Housing material	Stainless steel		
Material active face	Stainless steel		
Pressure resistance (oil)	bar ≤ 500		
Enclosure rating	IP 69K		
Connection	Connector M12 4-pin		